

Dotworkz - designed exclusively for Sony

UNI-E2DG8

4K Security Camera Enclosure

Outdoor Camera Enclosure with Heater/Blower and Wall-Mount Bracket

- The UNI-E2DG8 is an outdoor, vandal-resistant, fixed camera housing with a heater and blower
- Compatible with Sony's SNC-VB770 camera
- The blower runs continuously to provide airflow to keep the camera cool and the window virtually fog-free
- The heater automatically activates at 40°F and deactivates at 60°F with a thermal cut-off switch assuring safe heating operation
- The enclosure also includes a pole-mount adaptor as a standard accessory
- Compatible for a maximum combined camera and lens length of 12.5 inches (317.5mm)

Key Features

- Meets NEMA type 4x standards
- Power input of 24 VAC/VDC, 110 VAC, or 220 VAC
- Camera output of 24VAC or 12 VDC
- Center-fed cable runs through the wall-mount arm for a clean and protected install
- Pole-mount adaptor included (straps not provided)
- Wall-mount arm assembly and pole-mount adaptor made with aluminum for strength and stability
- IP66 rated for superb moisture and dirt ingress protection
- Glass window for superior optics

Bid Specifications

- The outdoor, vandal-resistant, fixed camera housing is Sony's model UNI-E2DG8. The housing is designed for the SNC-VB770. The heater/blower is powered by a 24VAC power input source. The camera is powered by a 24VAC output power.
- The UNI-E2DG8 environmental housings is constructed of two injection molded white polycarbonate plastics parts with a powder coated white aluminum wall mount arm and a white pole mounting bracket.
- The UNI-E2DG8 is designed with features such as: a side hinge that allows for easy camera set-up and servicing; a slide-in camera mounting sled for simple and secure camera installation; a strategically placed heater to optimize air flow to



- Strong polycarbonate material helps to protect valuable electronics inside
- Pre-wired for power input of 24VAC
- Cable interconnects accessible via hinged door of wall-mount arm for ease of installation
- Built-in capability to support 110-220 VAC 50/60 Hz power sources
- Pre-installed Ethernet cable and power input cable means all connections are done easily inside the wall-mount arm
- Ethernet and power interconnects are provided

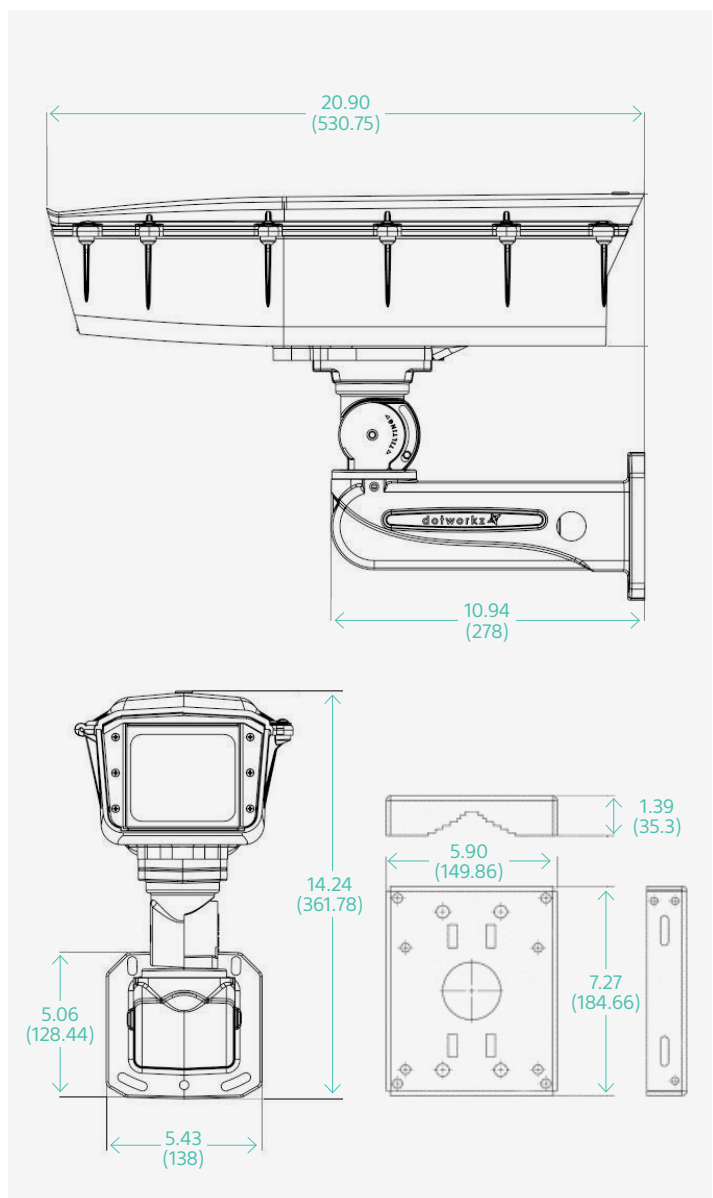
the housing window and camera lens; and a heavy duty cast aluminum feed-thru wall/pole mount with internal cabling.

- The UNI-E2DG8 can also be powered with 110-220VAC. The camera can also be powered with 12 VDC.
- A 32-watt heater is mounted to the inside of the bottom extrusion, behind the fan to aid in defogging.
- The UNI-E2DG8 is designed to operate in harsh environments and temperatures reaching -25°F to 115°F (-32°C to 46°C). The built-in thermostatic controls activate the heater at 40°F (4.4°C) and deactivate at 77°F (25°C).
- The window is clear glass, double sealed, with an aluminum faceplate.

Specifications

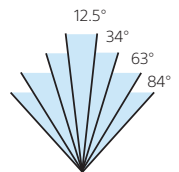
Model	
UNI-E2DG8	Outdoor Camera Housing with Heater/Blower and Wall-Mount Bracket
Architecture/Engineering Specifications	
Size (H x W x L)	13.0 x 7.4 x 21.0 inches (330.2 x 187.96 x 533.4 mm)
Weight	10 lbs. (4.5 kg)
Enclosure Construction	Polycarbonate
Wall-Mount Arm Construction	Cast Aluminum
Pole-Mount Adaptor Size (H x W x D)	7.27 x 5.90 x 1.39 inches (184.65 x 149.86 x 533.4 mm)
Interior Camera Install Area Available	3.75 x 5.0 x 13.0 (92.25 x 127.0 x 33.2 mm)
Maximum Camera and Lens Length	13.5"
Mounting Style	Wall or Pole
Window Construction	Glass
Attributes	
Operating Temperature	-25°F to 115°F (-32°C to 46°C)
Heater Activates at	40°F (4.4°C)
Heater Deactivates at	77°F (25°C)
Blower	Yes (Continuous)
IP Rating (Weather Rating)	IP66/NEMA 4X
RoHS	Yes
REACH	Yes
WEEE	Yes
CE	Yes
UL/cUL Listed	Yes
Electrical	
Input Voltage	24 VAC/VDC or 110 VAC or 220 VAC
Power Consumption	2 amps @ 115 VAC typical at full load
Voltage Output to Camera	24 VAC or 12 VDC
Shipping	
Weight of all Items with Box	14.5 lbs (6.6 kg)
Box Dimensions (H x W x D)	22.0 x 13.0 x 8.0 inches (558.8 x 330.2 x 203.2mm)
Compatible Camera Models	
SNC-VB770	Fixed Network
SNC-VB770 / PKG1	Fixed Network
SNC-VB770 / PKG2	Fixed Network
SNC-VB770 / PKG3	Fixed Network


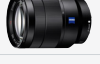

Dimensions



Optional Lens Bundle Packages:

SNC-VB770/PKG1	SNC-VB770/PKG2	SNC-VB770/PKG3
SNC-VB770 camera bundled with SEL35F14Z lens.	SNC-VB770 camera bundled with SEL2470Z manual zoom lens.	SNC-VB770 camera bundled with SEL70200G manual zoom lens.



	Lens	Specs	Zoom Range
	SEL35F14Z	HFOV: 63° f = 1.4	35mm (fixed)
	SEL2470Z	HFOV: 84-34° f = 4.0	24 to 70mm
	SEL70200G	HFOV: 34-12.5° f = 4.0	70 to 200mm

Sony Electronics Inc.
1 Sony Drive
Park Ridge, NJ 07656
sony.com/security

©2016 Sony Electronics Inc. All rights reserved. Reproduction in whole or in part without written permission is prohibited. Features and specifications are subject to change without notice. Weights and measurements are approximate. Sony and the Sony logo are trademarks of Sony. All other trademarks are properties of their respective owners.